

### General characteristics

Family name	Rondo II
Luminaire type	Downlight
Integrated driver	Yes
LED chips manufacturer	Shenzen MTC
Installation options	Recessed
Intelligent control	None
Certificates	CE, RoHS
Warranty	2 years

### Rated parameters

Rated power	14W, 25W
Rated luminous flux	from 1200lm to 2450lm
Rated lifetime	30 000h
Rated luminous intensity	498cd, 908cd
Rated beam angle	90°

### Light technical characteristic

Luminaire luminous flux	from 1200lm to 2450lm
Luminous efficacy	85 ÷ 98lm/W
Color temperature	3000K, 4000K
CRI	> 80
Beam angle	90°
Color consistency	< 6SDCM

### Electrical characteristics

Wattage	14W, 25W
Replaces*	48W, 98W
Voltage	220-240V
Voltage frequency	50-60Hz
Power factor	> 0,9
Energy efficiency label	A+

### Operating characteristics

Lifetime	30 000h
Switching cycle	> 15 000
LLMF	> 0,7
IP	44 (lighting surface)
Warm up time	negligible
Starting time	< 0,5s
Working temperature	from -20° to 40°C
Storage temperature	from -20° to 40°C



index	power	replaces*	luminous flux	lighting angle	cut-out hole	weight net/gross	luminaire dimensions	colorbox dimensions
LOR1402	14W	48W	1200lm	90°	ø145-155mm	0,3kg/0,4kg	ø174xH68,5mm	L174xW174xH74mm
LOR2502	25W	93W	2330lm	90°	ø195-210mm	0,5kg/0,65kg	ø244xH84,5mm	L246xW246xH98mm
LOR1403	14W	50W	1260lm	90°	ø145-155mm	0,3kg/0,4kg	ø174xH68,5mm	L174xW174xH74mm
LOR2503	25W	98W	2450lm	90°	ø195-210mm	0,5kg/0,65kg	ø244xH84,5mm	L246xW246xH98mm

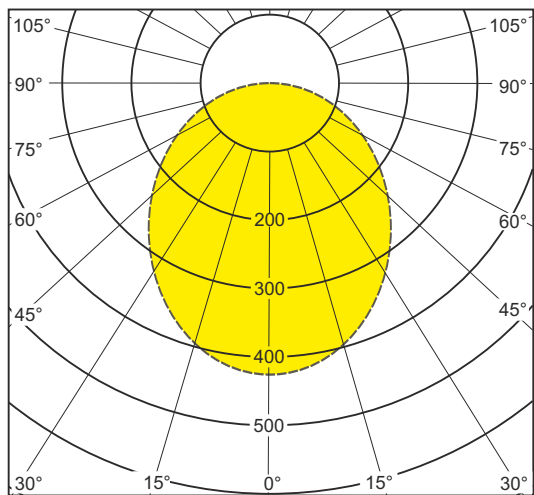
\*w compared to luminaires with CFL lamps

No accent lighting.



IEC 62471  
IEC 62560

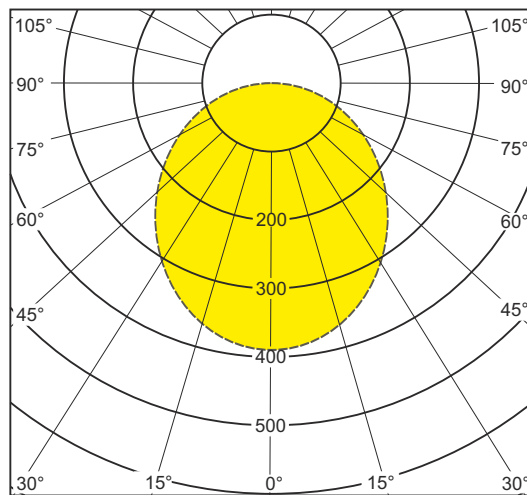
### Rondo II 14W



(cd/1000lm)

----- C0 - C180

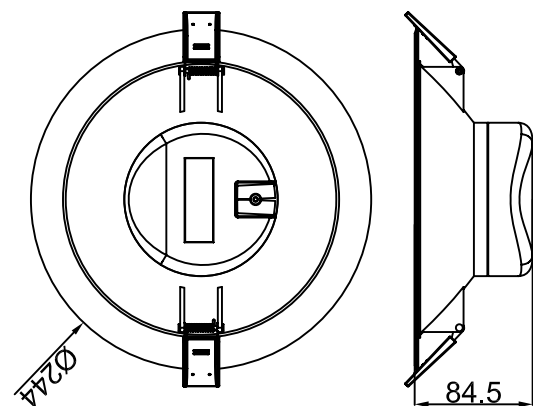
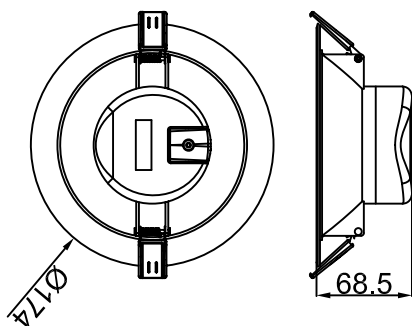
### Rondo II 25W



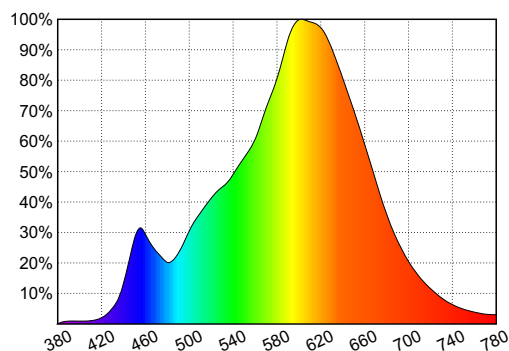
(cd/1000lm)

----- C0 - C180

### Technical drawings



### Spectrum for CCT: 3000K



### Spectrum for CCT: 4000K

